

# EUROPEAN PATENT OFFICE

## Patent Abstracts of Japan

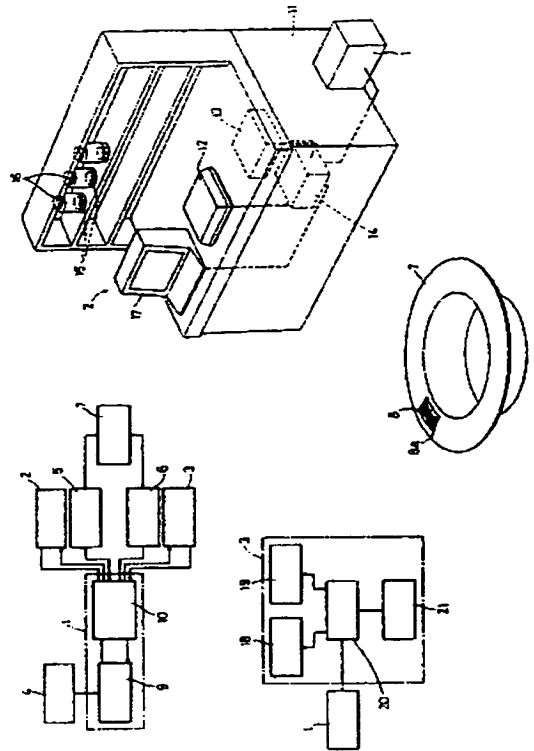
PUBLICATION NUMBER : 03012159  
PUBLICATION DATE : 21-01-91  
APPLICATION DATE : 09-06-89  
APPLICATION NUMBER : 01147298

APPLICANT : YUYAMA SHOJI;

INVENTOR : YUYAMA SHOJI;

INT.CL. : A61J 3/00

TITLE : SYSTEM FOR COMPOUNDING AND SEPARATELY PACKING MEDICINE



**ABSTRACT :** PURPOSE: To eliminate necessity for operation to read a medical prescription or to input a control key and to easily and exactly execute work for compounding and separately packing medicine by providing a separately including device to separately include the medicine which is compounded based on the memory contents of a controller.

CONSTITUTION: A controller 1 is composed of a storing part 9 to store information to be inputted from an input device 4 and control part 10 to receive signals from a compounding device 2, separately including device 3 or both identifying devices 5 and 6. When the signal is inputted, the control part 10 selects a required compounding condition or separately including condition from the storing part 9 and outputs the condition to the compounding device 2 or separately including device 3. When the call number of the medical prescription of an object to be compounded is called on the operation board of the compounding device 2, the condition required for compounding is outputted from the control device 1 to a controller 4 of the compounding device 2 and the contents of the condition are displayed on a display 17. When a correct medicine bottle 16 is picked up and next, the medicine is taken out of the medicine bottle 16. Only the designated quantity of the medicine can be taken out by adjusting the quantity of the medicine.

COPYRIGHT: (C)1991,JPO&Japio